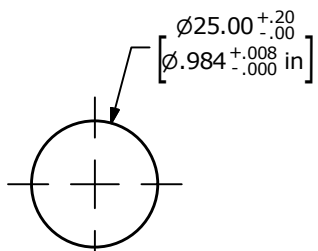


SWITCH	WIRE	LENGTH
SW1-1a	WIRE, 24AWG AWM UL1015, WHITE	300.0 [11.8 in]
SW1-2a	WIRE, 24AWG AWM UL1015, WHITE	300.0 [11.8 in]
SW1-3a	WIRE, 24AWG AWM UL1015, BLUE	300.0 [11.8 in]
SW1-4a	WIRE, 24AWG AWM UL1015, BLUE	300.0 [11.8 in]
SW1-1b	WIRE, 24AWG AWM UL1015, WHITE	300.0 [11.8 in]
SW1-2b	WIRE, 24AWG AWM UL1015, WHITE	300.0 [11.8 in]
SW1-3b	WIRE, 24AWG AWM UL1015, BLUE	300.0 [11.8 in]
SW1-4b	WIRE, 24AWG AWM UL1015, BLUE	300.0 [11.8 in]
SW1- (+)	WIRE, 24AWG AWM UL1015, RED	300.0 [11.8 in]
SW1- (-)	WIRE, 24AWG AWM UL1015, BLACK	300.0 [11.8 in]

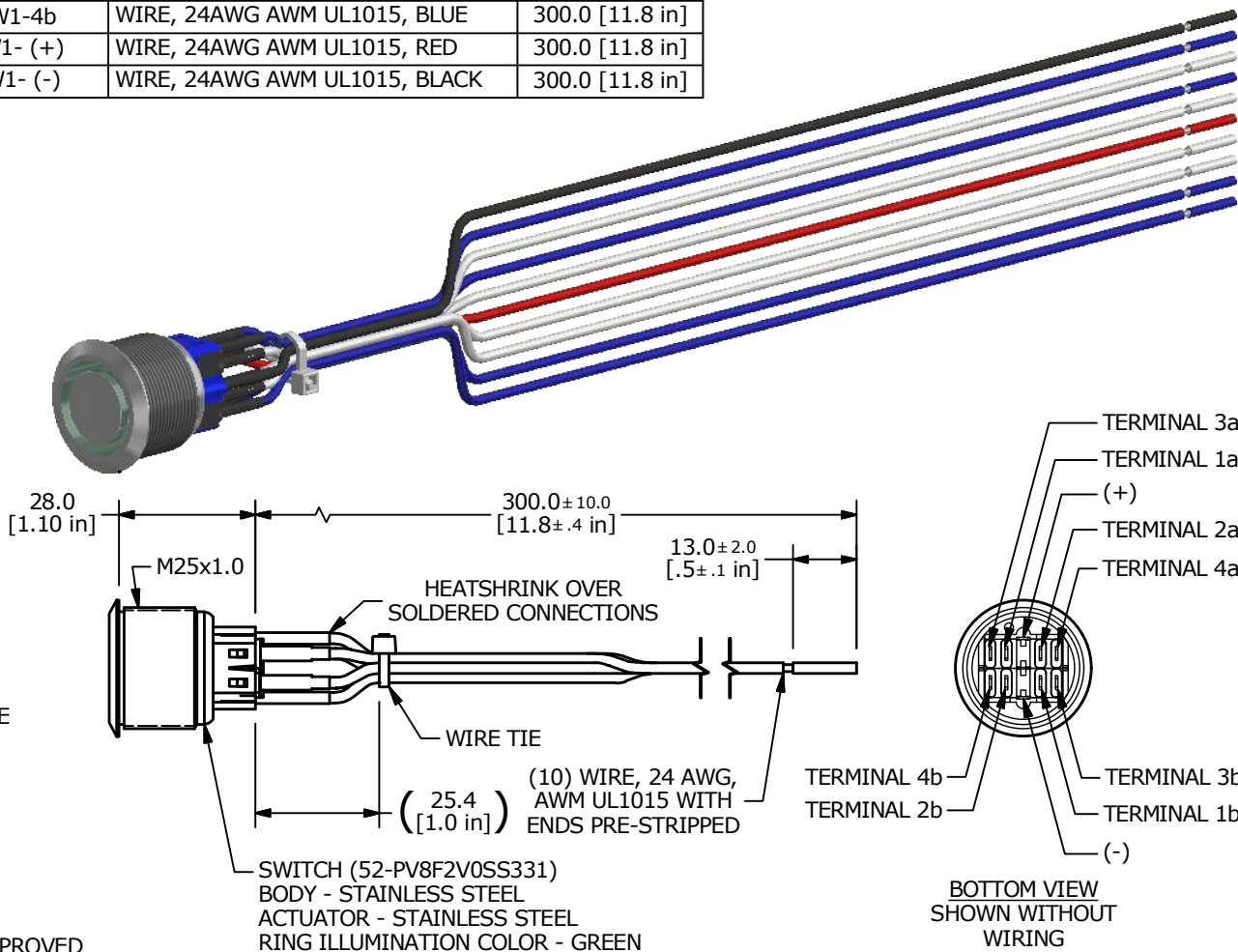
SCHEMATIC
 OFF - (ON) / ON - (OFF) - DPDT ILLUMINATED
 () DENOTES MOMENTARY FUNCTION



RECOMMENDED PANEL CUTOUT
 MAX. PANEL THICKNESS 10.0 [.39 in]

NOTES:

1. DIMENSIONS IN MM [INCH]
2. ALL MATERIAL SHALL BE ROHS COMPLIANT
3. TERMINAL NUMBERS FOR REF. ONLY
4. RATING: 2A @ 48VDC
- ▲ 5. ILLUMINATION VOLTAGE: 2.8V FORWARD, 2.8V REVERSE
6. CONTACT RESISTANCE: 50mΩ MAX. @ 1A 12VDC
7. INSULATION RESISTANCE: 1,000MΩ @ 500VDC
8. DIELECTRIC STRENGTH: 2,000VAC MIN. FOR 1 MINUTE
9. ELECTRICAL LIFE: 50,000 CYCLES
10. OPERATING TEMPERATURE: -20°C to 55°C
11. INGRESS PROTECTION: IP65
12. ▲ DENOTES CRITICAL PARAMETER.
- ▲ 13. SUPPLIED HARDWARE: O-RING AND HEXNUT
14. USE PART NUMBERS DESIGNATED OR ENGINEERING APPROVED EQUIVALENTS.



TITLE PV8FWV0SS-331				
SCALE	DATE	DR	DWG	REV
2:3	1/21/2019	MJR	52-PV8FWV0SS331	D